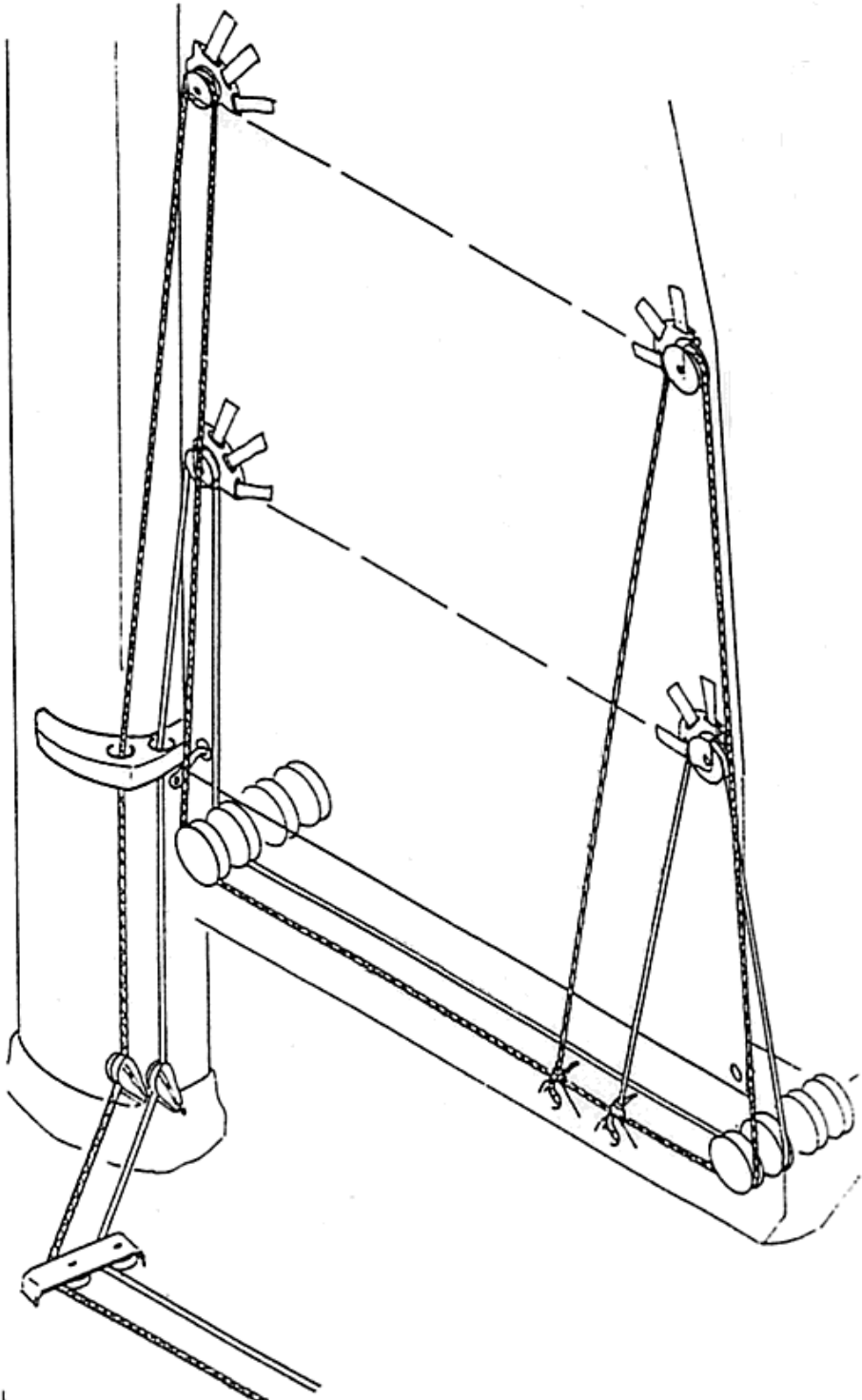


Single Line Reefing Boom Systems

We offer 2 types of 'single line' reefing systems. The feature that they have in common is that (in addition to adjusting the main halyard) it is only necessary to pull one line to take in a reef.

System 1 - Continuous Single Line Reefing System

This system can be implemented on our standard slab reefing booms (all sizes) without modification. However, it requires blocks to be sewn into the sail at the tack and clew of each reef, as illustrated below. 2 such reefs are possible - both taken in on the port side. A standard 3rd slab reef can be installed in addition.

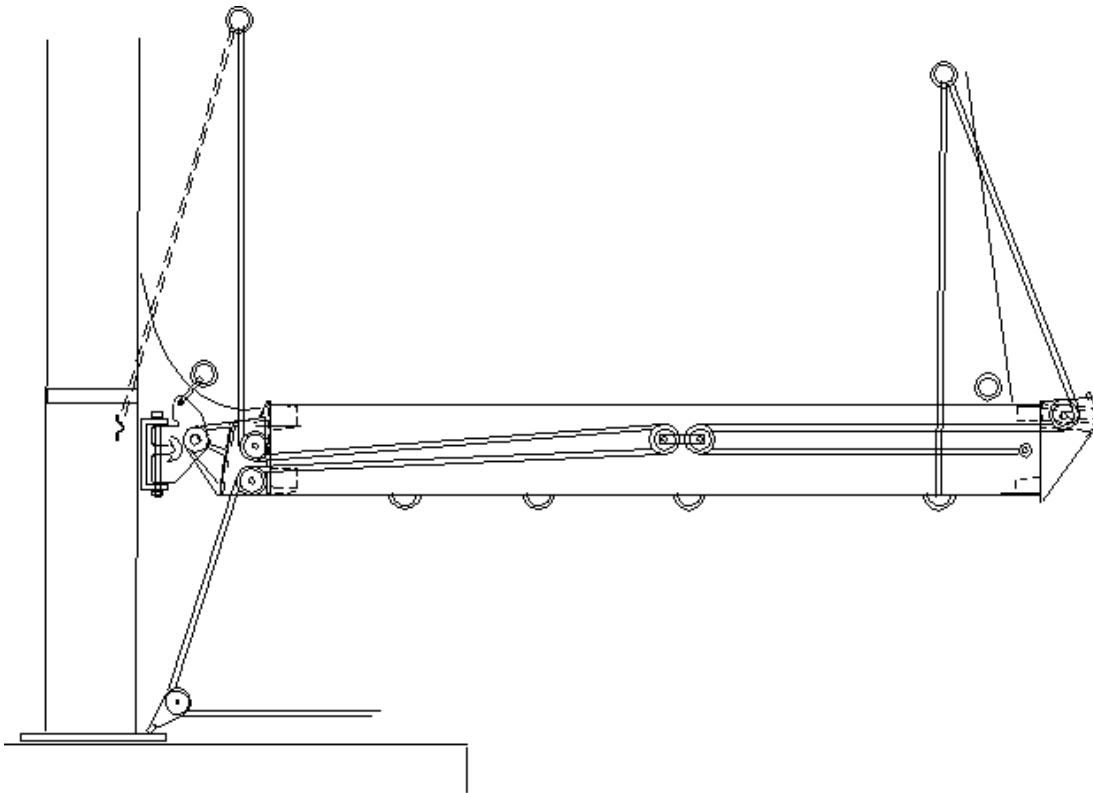


System 2 - Single Line Reefing System with in-boom tackle

This system can be fitted to our Z204, Z360 and Z480 booms. Tackle for two reefs can be accommodated internally in the section. The second reef height is limited by the amount of travel of the block inside the boom to approximately boom length plus 400mm. A standard 3rd slab reef can be

installed in addition.

Note that the position of the mainsail luff cringle for each reef must be positioned further aft than normal. 140mm aft of the mast for Z204 and 220mm aft for Z360 and Z480.



Z204 Boom

TOTAL BOOM PRICE (including outhaul rope and 2 reef lines) £446.00

Z360 Boom

TOTAL BOOM PRICE (including outhaul rope and 2 reef lines) £690.00

Z480 Boom

TOTAL BOOM PRICE (including outhaul rope and 2 reef lines) £899.00

All prices ex VAT ex works. Prices valid at April 2011.
Please verify your specific requirements before ordering.

Last Updated on 11 April 2011