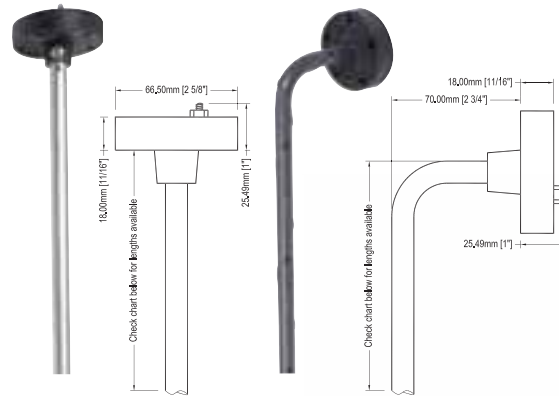




Single or multi tank display

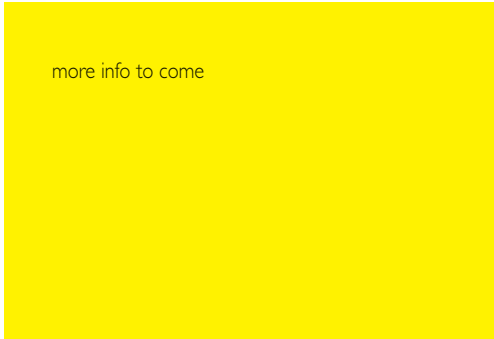
### TLM Features:

- Tank level monitoring for up to 3 tanks
- 14 selectable legends for tank descriptions eg. Fuel, Water, Blackwater
- Hi - Low tank level alarms for 3 tanks
- Tank levels displayed in graphic or percentage format
- Units displayed in litres, imperial gallons or US gallons
- Audible alarm with mute function
- Power supply 10-35VDC
- Display is backlit for easy night time viewing



■ TSTM top mount

■ TSSM side mount



### Easy to install probe senders

(no moving parts). Fully adjustable to suit the 600-TLM Tank Level Monitor. Available for fuel or water tanks in two mounting styles, top mount or side mount.

**Please note:** These fuel and water senders are 0-5V output and do not require a 600-TLM-SIF. These senders are still available however we recommend the new TSI Ultrasonic Sender on page 23.



■ 600-TLM-SIF

### Dimensions:

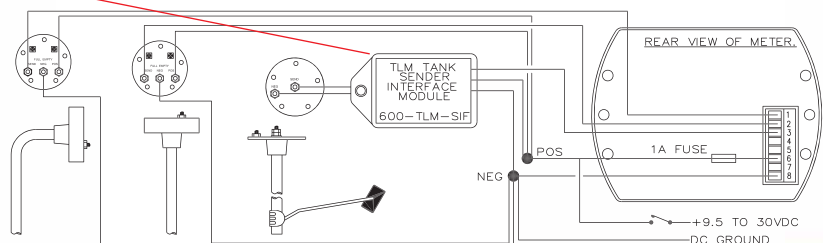
60 x 34 x 22h.  
(2.4 x 1.3 x .9 inches)

### Tank sender interface module

Is only required when using VDO (10-180 ohm) or Teleflex (240-33 ohm) senders to produce a 0-5 Volt signal to operate 600-TLM. Switchable link for VDO or Teleflex signal. 10 – 32V supply. One unit per sender required. See wiring application.

### FUEL AND WATER TANK SENDERS

Part No.	Tank Depth (probe Adjust Range)	Fuel	Water	Mounting
TSTMF-15-30 N	150-300	YES	NO	TOP
TSTMF-30-60 N	300-600	YES	NO	TOP
TSTMF-60-100 N	600-1000	YES	NO	TOP
TSSMF-15-30 N	150-300	YES	NO	SIDE
TSSMF-30-60 N	300-600	YES	NO	SIDE
TSSMF-60-100 N	600-1000	YES	NO	SIDE
TSTMW-15-30 N	150-300	NO	YES	TOP
TSTMW-30-60 N	300-600	NO	YES	TOP
TSTMW-60-100 N	600-1000	NO	YES	TOP
TSSMW-15-30 N	150-300	NO	YES	SIDE
TSSMW-30-60 N	300-600	NO	YES	SIDE
TSSMW-60-100N	600-1000	NO	YES	SIDE



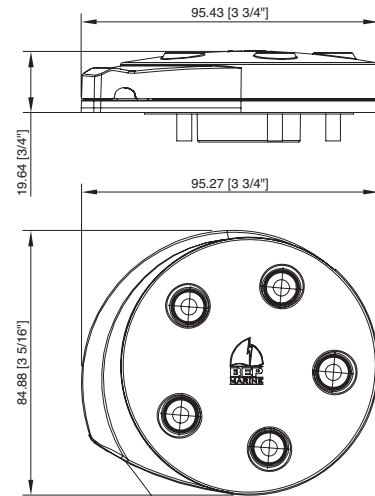
**NEW**

The new **TSI Ultrasonic Tank Sender** can be used on fuel (petrol or diesel), fresh water, grey water or black watertanks. This means less SKU's to stock.

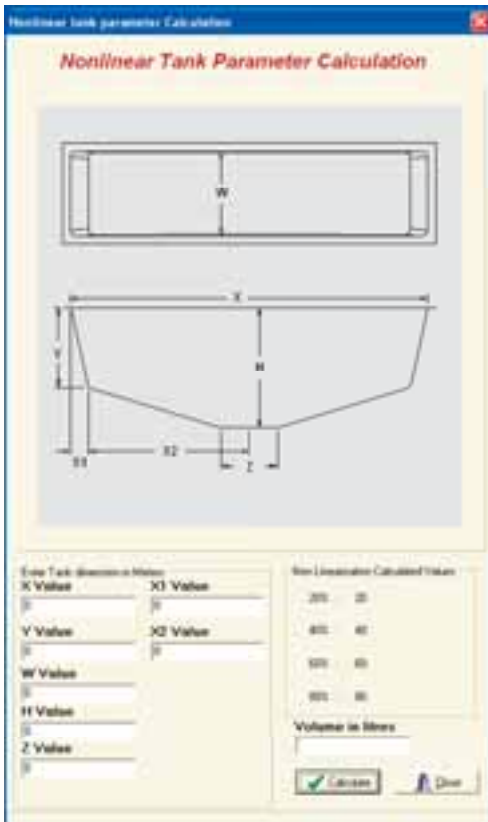
- The TSI is programmable for the following outputs, 240-33ohm, 10-180ohm and 0-5volt.
- The TSI offers low profile and standard SAE 5 hole mounting pattern, allowing it to be retrofitted to practically all other sender brands.
- The TSI can be programmed for tank dimensions via a computer utilizing BEP Marine's proprietary TSI software, avoiding experimental tank filling on site.
- The TSI configured to a 0-5v output will connect straight into the BEP 600-TLM digital tank monitor.
- When configured to a 240-33ohm or 10-180ohm output the TSI can be connected to teleflex, faria, VDO and many other popular instrument brands.



■ TSI



0.5M cable



### SPECIFICATIONS

Operating voltage	10-32v
Current draw	25mA with 5 volt gauge output
Measurement method	Acoustic sonic measurement
Tank depth	0 to 2000mm
Accuracy	Distance 0mm to 2000mm at 2mm accuracy
Mounting	SAE 5 stud mounting pattern with gasket, seal and screws
Environmental	Temperature 4 to 65 degrees C
Chemical resistance	Petrol, diesel, water, toilet, chemicals
Tank type style	Metal and plastic with non linear capacity, grey and black water, petrol and deisel

**BEP Marines proprietary software** allows distributors or volume users to pre-programme tank dimensions giving accurate measurement avoiding experimental tank filling.

Software and Programming Kit available **Part No. TSI-PK**