

Toe rails

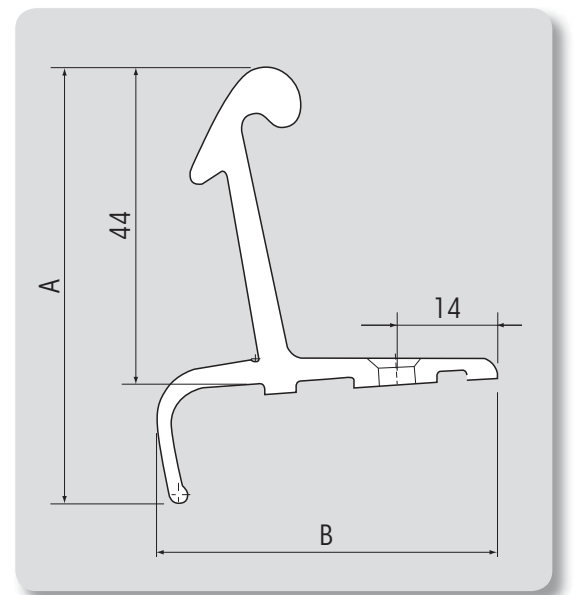
GOIOT 

Designed to cover the deck-to-hull assembly, Goiot toe rails are equally suitable for wood or metal construction.

Anodised aluminium in natural colour.
Supplied in 6 m lengths.



Spars are meant to bend naturally in the assembly process, with no need for additional machining.

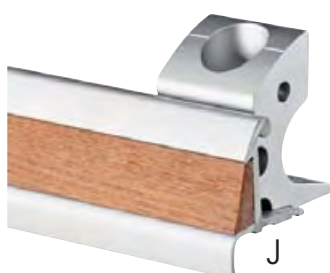


808 toe rail

The angled and rounded shape offers a stylish and safe design.
Drilled for st. steel flat slotted screws Ø 6 mm.

The toe rail construction allows for teak boards to be added as decoration.
Some accessories are designed for boats above 35 ft.

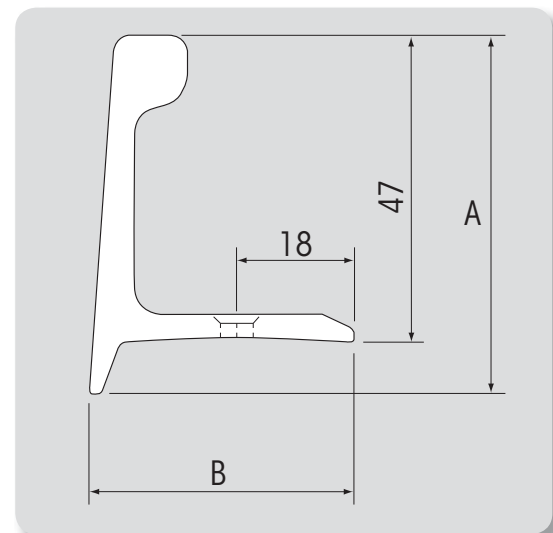
Description	Ref.	Length	A	B	Hole spacing	Weight
808 toe rail, anodised aluminium	A 97818	6 m	60 mm	47 mm	200 mm	6 kg
Set of port-starboard short end fittings	B 97793	175 mm	60 mm	47 mm	-	50 g
Set of port-starboard fairlead end fittings	C 97797	105 mm	60 mm	47 mm	35 mm	130 g
Set of port-starboard fairleads	D 97795	175 mm	60 mm	47 mm	85 mm	215 g
Set of port-starboard fairleads (boats > 35 ft)	E 97800	230 mm	70 mm	50 mm	155 mm	635 g
Middle fairlead	F 105601	135 mm	60 mm	47 mm	85 mm	160 g
Middle fairlead, (boat > 35 ft)	G 97799	180 mm	60 mm	50 mm	155 mm	520 g
Teak board	H 105538	2 m	-	-	-	-
Assembly connector	I 97798	120 mm	33 mm	90 mm	-	95 g
Aluminium stanchion base 25 mm Ø	J 97796	46 mm	70 mm	61 mm	-	140 g



811 toe rail

Slightly angled profile and flat surface for a stylish line.
Accessories in cast aluminium come with a smooth finish and match the toe rail perfectly.
Rectangular pitch of toe tails is 70 mm long and 155 mm apart.

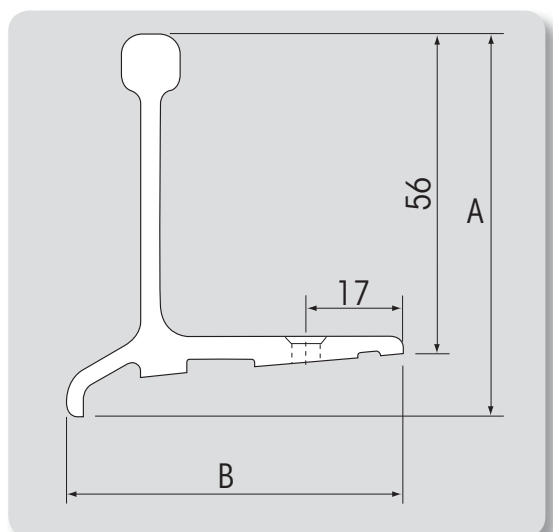
Description	Ref.	Length	A	B	Hole spacing	Weight
811 toe rail	97824	6 m	55 mm	44 mm	112 mm	6 kg
Set of port-starboard end fittings	97801	70 mm	58 mm	50 mm	-	75 g
Set of port-starboard fairlead end fittings	97804	180 mm	52 mm	45 mm	61 mm	305 g
Middle fairlead	97767	150 mm	55 mm	45 mm	59 mm	250 g
Assembly connector	105643	15 mm	58 mm	47 mm	-	36 g
Aluminium stanchion base Ø 27 mm with plastic sleeve	97436	80 mm	77 mm	85 mm	57 mm	220 g



822 toe rail

Straight, more conventional shape toerail with a slightly curved flange.
Accessories made from aluminium casting are hand-polished.
The rectangular pitch of toe rails is 70 mm long and 155 mm spaced.

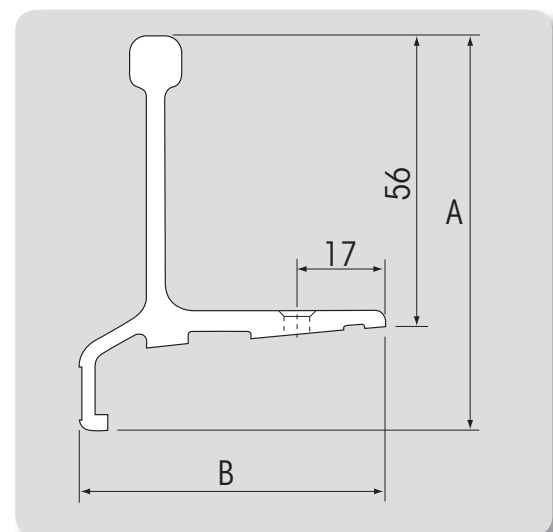
Description	Ref.	Length	A	B	Hole spacing	Weight
822 toe rail	97831	6 m	67 mm	59 mm	112 mm	9 kg
Set of port-starboard fairlead end fittings	97805	65 mm	70 mm	68 mm	-	150 g
Set of port-starboard fairlead end fittings	97807	200 mm	70 mm	61 mm	75 mm	470 g
Middle fairlead	105598	165 mm	70 mm	61 mm	-	430 g
Assembly connector	97783	20 mm	70 mm	68 mm	-	55 g
Aluminium stanchion base Ø 27 mm with plastic sleeve	97437	77 mm	72 mm	40 mm	60 mm	220 g
Aluminium stanchion base Ø 30 mm	97438	76 mm	70 mm	40 mm	60 mm	220 g



823 toe rail

With a higher flange than the 822 toe rail, the 823 model provides a solution to a variety of installations whilst having a straight traditional profile.
Accessories in cast aluminium with a smooth finish.
Rectangular pitch of toe rails is 70 mm long and 155 mm apart.

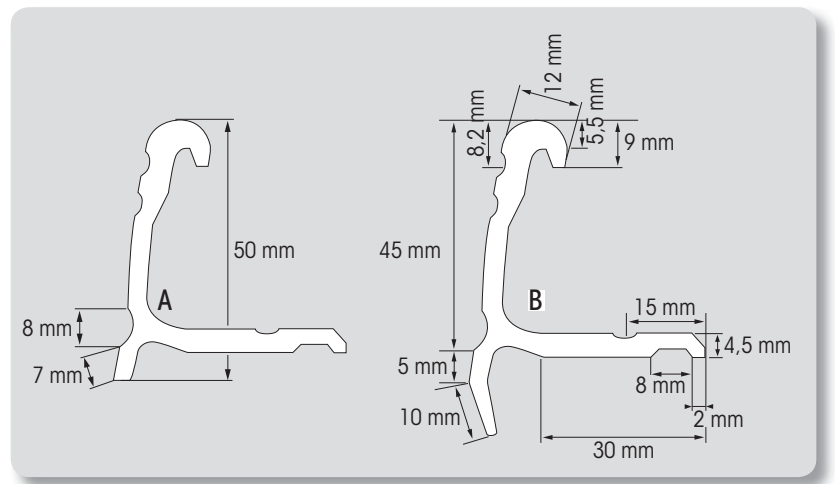
Description	Ref.	Length	A	B	Hole spacing	Weight
823 toe rail	97841	6 m	67 mm	59 mm	112 mm	9.6 kg
Set of port-starboard end fittings	97809	65 mm	80 mm	67 mm	-	150 g
Set of port-starboard fairlead end fittings	97811	200 mm	78 mm	61 mm	75 mm	470 g
Middle fairlead	97810	165 mm	78 mm	61 mm	-	430 g
Assembly connector	97737	20 mm	79 mm	67 mm	-	55 g
Aluminium stanchion base Ø 27 mm with plastic sleeve	97437	77 mm	72 mm	40 mm	60 mm	220 g
Aluminium stanchion base Ø 30 mm	97438	76 mm	70 mm	40 mm	60 mm	220 g



Toerails

Manufactured in silver anodized aluminium.

- Quick and simple mounting : bollards and stanchion sockets are clipped into a hook on the upper flange.
- Timesaving : fittings can be mounted anywhere on the rail.
- Patented.



Toerails

For all boats up to 15 metres/50 feet.
Available in two flange heights : 7 or 15 mm. Hole spacing 120 mm, 8 mm screws. Distance between decoration holes 200 mm.

	Ref.	Rail length	Flange height	Bolts
A	40883	4 m	7 mm	M8 countersunk
	40884*	6 m		
B	40885	4 m	15 mm	
	40886	6 m		

*40998 : same as 40884, but with a decoration hole on the upper part of flange



Bollards

Track cleats	Ref.	Length	Bolts
Aluminium, small	29917	205 mm	M8 countersunk
Aluminium, large	29918	245 mm	M8 squarebolt
Aluminium, large, for teak deck	29919	245 mm	M8 squarebolt

*M8 squarebolt DIN 603

Bowroller

29933

Mounts starboard fore or portside aft, using M8 countersunk bolts. Manufactured in aluminium.



Stanchion sockets

To be mounted on the toerail hook.
To prevent corrosion when used in conjunction with stainless steel stanchions, the aluminium sockets are supplied with a plastic tube and a plastic stanchion locking bolt. For stanchion Ø 25 mm.

Ref.	Model	Bolts
A 29934	Aluminium, straight	M8 squarebolt
C 29935	316 st.steel, straight	M8 countersunk
- 29936	Aluminium, raked 7°	M8 countersunk
- 29937	316 st.steel, raked 7°	M8 countersunk
B 29938	Aluminium, for teak deck	M8 countersunk
D 29939	316 st.steel, for teak deck	M8 countersunk
29941	<i>Extra plastic tube</i>	
29942	<i>Extra plastic bolt M5 x 12</i>	

*M8 squarebolt DIN 603

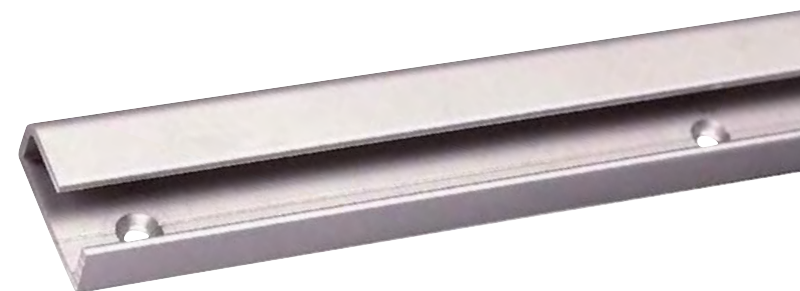


Connectors & fittings

To be mounted at the toerail end.
Connectors are used to assemble two rails together.
Starboard end fittings should be mounted starboard aft or portside fore.

Model	Ref.	Flange height	Bolts
End fitting, aluminium, starboard port	29922	7 mm	M8 squarebolt
	29923		
End fitting, 316 st.steel, starboard port	29924	7 mm	M8 countersunk
	29925		
End fitting, aluminium, starboard port	29926	15 mm	M8 squarebolt
	29927		
Aluminium connector	29930	7 mm	M8 squarebolt
	29931	15 mm	

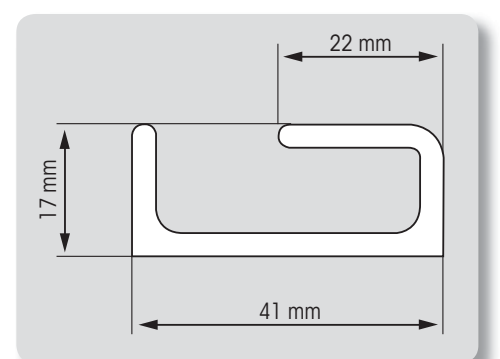
*M8 squarebolt DIN 603 *M8 squarebolt DIN 603



Hatch profile

- 1.25 m track : **29943**
- 5 m track : **29944**

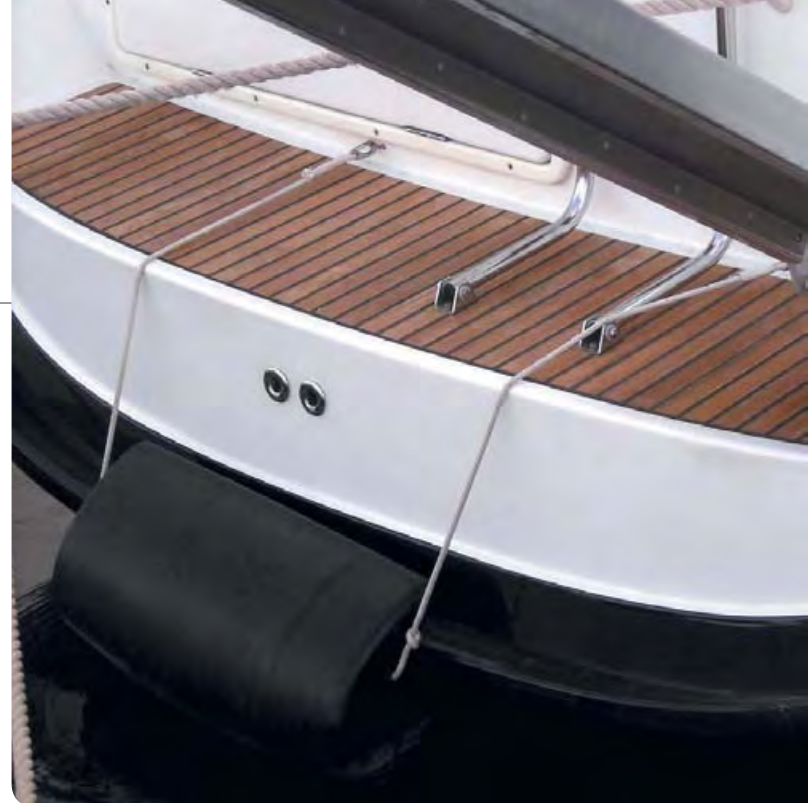
Silver anodised aluminium profile used for sliding hatches. Drilled for M5 countersunk bolt.



Teakwood for deck

Decking panels

Where on the deck	Ref.	Dimensions	Thickness
Cockpit floor	472679	200 x 45 cm	6 mm
Cockpit seat	472680	200 x 61 cm	
Platform	472681	50 x 164 cm	
Panel	472682	100 x 172 cm	
Panel	472683	260 x 82 cm	



Floor boards

Length approx. 2.50 m.

Section	Ref.
45 x 10 mm	A 405373
70 x 25 mm	B 405293

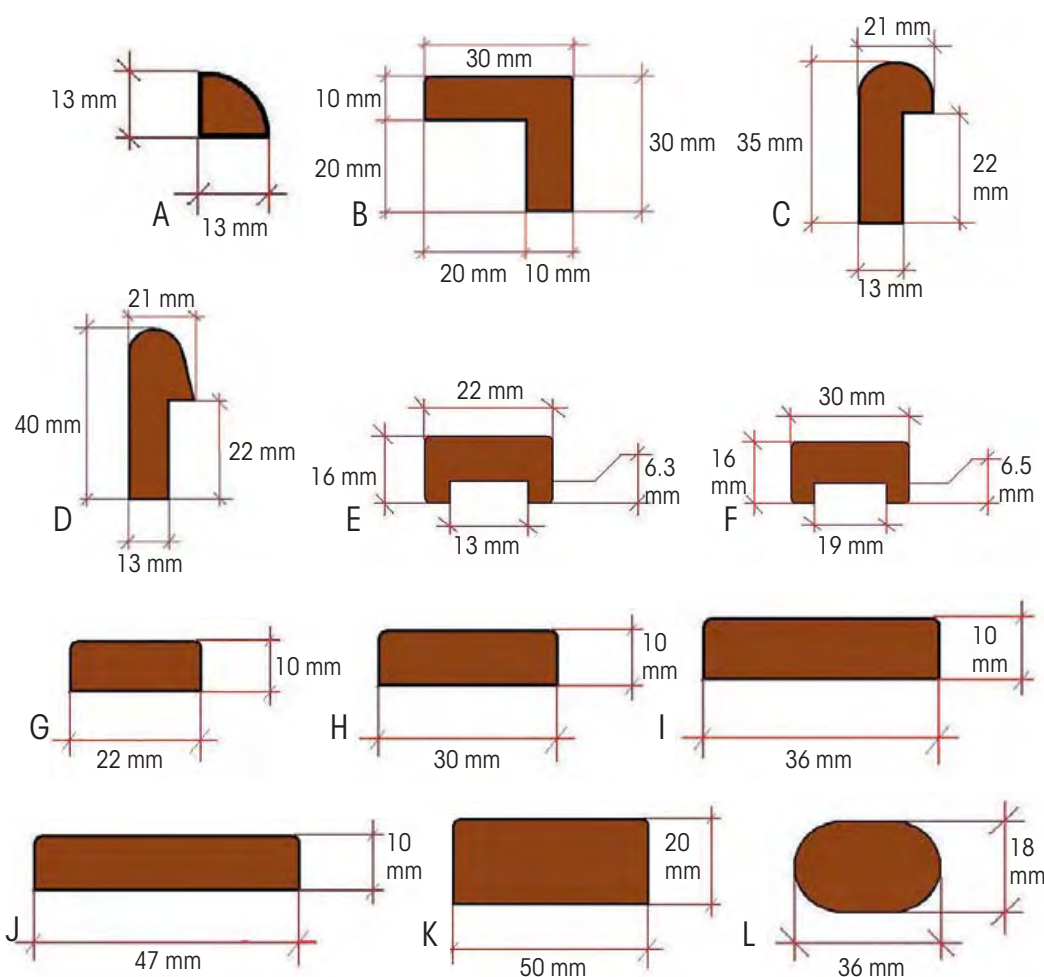


Warning : The floor boards and mouldings are sold only in full lengths. The length indicated may vary slightly depending on sourcing.

Mouldings with rounded edges

Length approx. 2.50 m.

Model	Ref.	Dimensions
Quarter-round	A 405378	13 x 13 mm
Corner moulding	B 405377	30 x 30 mm
Edge/fiddle moulding	C 405247	40 x 21 mm
	D 405374	40 x 21 mm
U moulding	E 405370	22 x 16 mm
	F 405244	30 x 16 mm
	G 405250	22 x 10 mm
	H 405251	30 x 10 mm
	I 405252	36 x 10 mm
Cover moulding with 2 rounded edges	J 405253	47 x 10 mm
	K 415646	50 x 20 mm
Moulding with 4 rounded edges	L 415916	36 x 18 mm



Teak grating

Ref.	Dimensions	Thick
40188	50 x 50 cm	20 mm
450169	125 x 33 cm	
450170	150 x 33 cm	



Teak plugs



Ø 8 mm : **40184**
 Ø 10 mm : **40185**
 Ø 12 mm : **40186**
 Ø 15 mm : **40187**